



川源(中国)机械有限公司
GSD(China) Co., Ltd.

ISH/ISP

单级卧式离心泵

ISH/ISP
Single-stage Horizontal Centrifugal Pump

ISH/ISP 单级卧式离心泵

ISH/ISP Single-stage Horizontal Centrifugal Pump



用途

- 暖通空调冷热水循环系统
- 锅炉给水
- 一般工业用水
- 土木施工用水
- 污水处理设备
- 设备配套
- 高楼给水

Application

- Air-condition cold or hot water circulation
- Industrial water supply
- Construction engineering water supply
- Waste water treatment
- Water-supplying system of apartment building
- Boiler water supply
- Serving in system equipment

特点

- ISH/ISP泵外形及安装尺寸依据GB/T 5662 (ISO 2858) 标准设计。
- ISH/ISP所有原型泵的效率均符合GB 19762 《清水离心泵能效限定值及节能评价》。
- 采用后拉式结构，维修时无须拆除泵体及管路，安装维护方便。
- 零件通用性广，ISH与ISP的泵体、叶轮、后盖、机封、密封环均相同，仅传动不同（ISH为中承+套筒轴，ISP为轴承体+联轴器）。
- 低噪音，长寿命，结构紧凑。
- 可根据要求采用不同材质。

Features

- Pump outline and installation dimensions are designed according to GB/T 5662 (ISO 2858) standard.
- The efficiency of all ISH/ISP prototype pumps complies with GB 19762 *The minimum allowable values of energy efficiency and evaluating values of energy conservation of centrifugal pump for fresh water.*
- With the back-pull structure, it is easy to install and maintain without removing the pump casing and pipeline during maintenance.
- The parts are commonly interchangeable. ISH and ISP series are using the same pump body, impeller, back cover, mechanical seal and sealing ring, and only the transmission parts is different (ISH is middle bearing + sleeve shaft, ISP is bearing body + coupling).
- Low noise, long life, compact structure.
- Materials can be selected according to the requirements of the customers.



结构说明 Construction description

- ISP泵采用轴承体结构，轴承标配用润滑脂润滑，也可选配油润滑，泵与电机之间采用弹性联轴器相连。
- ISH泵采用直联式加长轴结构，泵轴同心。
- 从泵进口看，泵为逆时针方向旋转。
- 泵体：底脚支撑结构，螺旋形蜗壳。铸铁泵体进出口法兰符合GB/T 17241.6 (ISO 7005-2), 压力等级1.6MPa；不锈钢泵体进出口法兰符合GB/T 9124.1 (ISO 7005-1), 压力等级1.6MPa；如要求符合其他法兰标准，请向我司咨询。
- 叶轮：闭式叶轮，采用优秀的水力模型设计，泵效率及可靠性均得到有效提升，并进行平衡实验。
- 轴封：采用机械密封结构，可选用国产及进口优质机封。
- 电机：选用IE3/IE4高效电机，噪音低，振动小，也可根据需要配用防爆或特殊要求电机。
- ISP pump adopts bearing body with two bearings inside, and the bearings are lubricated with grease as standard or oil as optional. ISP pump and motor are connected by elastic coupling.
- ISH pump uses a direct-coupled extended shaft structure, with the pump shaft being concentric.
- Seen from the pump inlet, the pump rotates counterclockwise.
- Pump casing: foot support structure, spiral volute. Cast iron pump casing inlet flange and outlet flange conform to GB/T 17241.6 (ISO 7005-2), pressure grade 1.6MPa; Stainless steel pump casing inlet flange and outlet flange conform to GB/T 9124.1 (ISO 7005-1), pressure grade 1.6MPa; Other flange standards can be provided upon request.
- Impeller: the closed impeller is designed with excellent hydraulic model, the efficiency and reliability of pump have been effectively improved, and balance test is conducted.
- Shaft seal: using mechanical seal. Domestic and imported high-quality mechanical seal may also be adopted.
- Motor: using IE3/IE4 high efficiency motors with low noise and small vibration. Explosion-proof motor or other motors with special requirements may be adopted if necessary.

使用条件 Operation condition

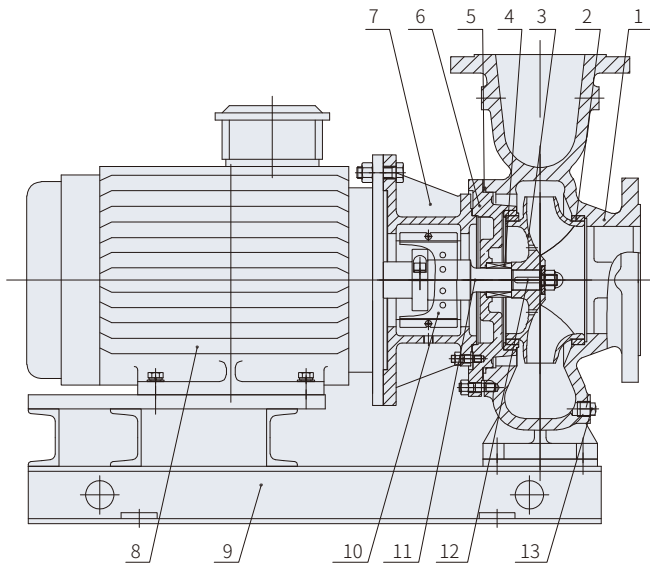
- 流量范围：5~800m³/h
- 扬程范围：5~140m
- 输送介质温度：-10℃~85℃（如超过温度范围，请向我司咨询）。
- 最大工作压力：1.6MPa（如需提高，请向我司咨询）。
- 最大进口压力：0.6MPa（如超过压力范围，请向我司咨询）。
- Capacity: 5~800m³/h
- Head: 5~140m
- Conveying medium temperature: -10℃~85℃(Please contact us if the temperature exceeds the range).
- Maximum working pressure: 1.6MPa (Please contact us if higher pressure is required).
- Maximum inlet pressure: 0.6MPa (Please contact us if higher pressure is required).

型号说明 Type description



结构简图 Construction

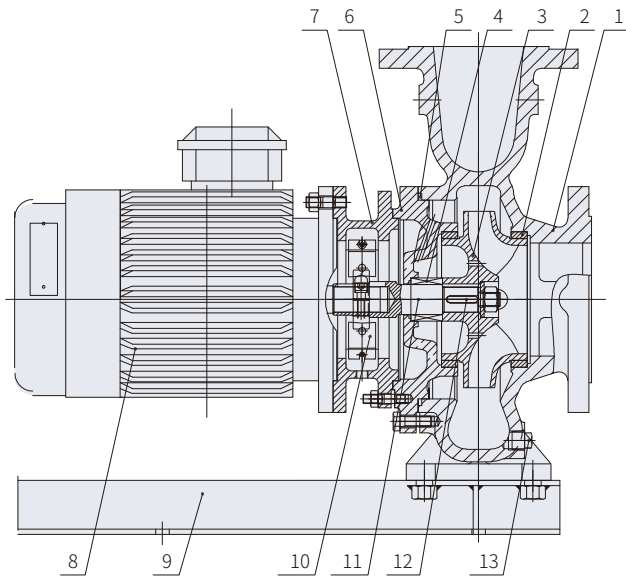
ISH直联式 ISH coaxial pump



NO.	名称 Name	材质 Material			
		HT		304	
		GB	JIS	GB	JIS
1	泵体 Pump casing	HT250	FC250	ZG07Cr19Ni10	SCS13
2	密封环 Seal ring	C/Cu	C/Cu	06Cr19Ni10/-	SUS304/-
3	叶轮 Impeller	HT200	FC200	ZG07Cr19Ni10	SCS13
4	机械密封 Mechanical seal	C/SiC-NBR	C/SiC-NBR	C/SiC-VITON	C/SiC-VITON
5	O型圈 O-ring	NBR	NBR	VITON	VITON
6	后盖 Back cap	HT250	FC250	ZG07Cr19Ni10	SCS13
7	中承座 Bracket	HT250	FC250	HT250	FC250
8	电机 Motor	-	-	-	-
9	底座 Base	Q235A	SS400	Q235A	SS400
10	防护板 Guard board	06Cr19Ni10	SUS304	06Cr19Ni10	SUS304
11	套筒轴 Sleeve shaft	20Cr13	SUS420	06Cr19Ni10	SUS304
12	键 Key	20Cr13	SUS420	06Cr19Ni10	SUS304
13	丝堵 Plug	Q235A	SS400	06Cr19Ni10	SUS304

4kW以上机型电机安装形式B35，配槽钢底座。

For models above 4kW, B35 type motor is applied, come with channel steel base.

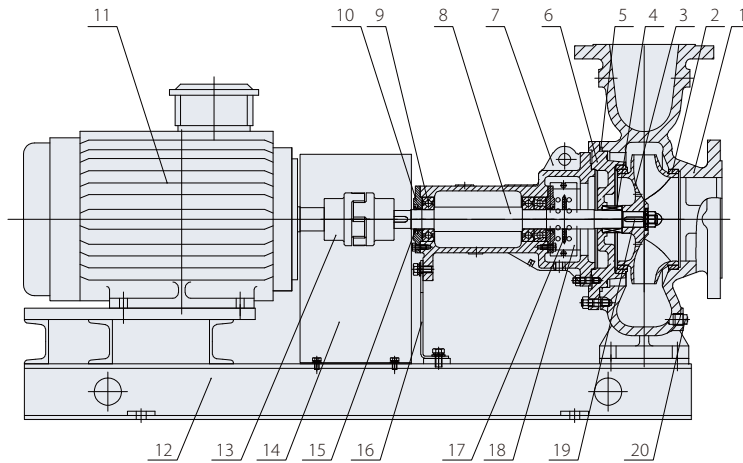


NO.	名称 Name	材质 Material			
		HT		304	
		GB	JIS	GB	JIS
1	泵体 Pump casing	HT250	FC250	ZG07Cr19Ni10	SCS13
2	密封环 Seal ring	C/Cu	C/Cu	06Cr19Ni10/-	SUS304/-
3	叶轮 Impeller	HT200	FC200	ZG07Cr19Ni10	SCS13
4	机械密封 Mechanical seal	C/SiC-NBR	C/SiC-NBR	C/SiC-VITON	C/SiC-VITON
5	O型圈 O-ring	NBR	NBR	VITON	VITON
6	后盖 Back cap	HT250	FC250	ZG07Cr19Ni10	SCS13
7	中承座 Bracket	HT250	FC250	HT250	FC250
8	电机 Motor	-	-	-	-
9	底座 Base	Q235A	SS400	Q235A	SS400
10	防护板 Guard board	06Cr19Ni10	SUS304	06Cr19Ni10	SUS304
11	套筒轴 Sleeve shaft	20Cr13	SUS420	06Cr19Ni10	SUS304
12	键 Key	20Cr13	SUS420	06Cr19Ni10	SUS304
13	丝堵 Plug	Q235A	SS400	06Cr19Ni10	SUS304

4kW（含）以下机型电机安装形式V1，配折弯底座。

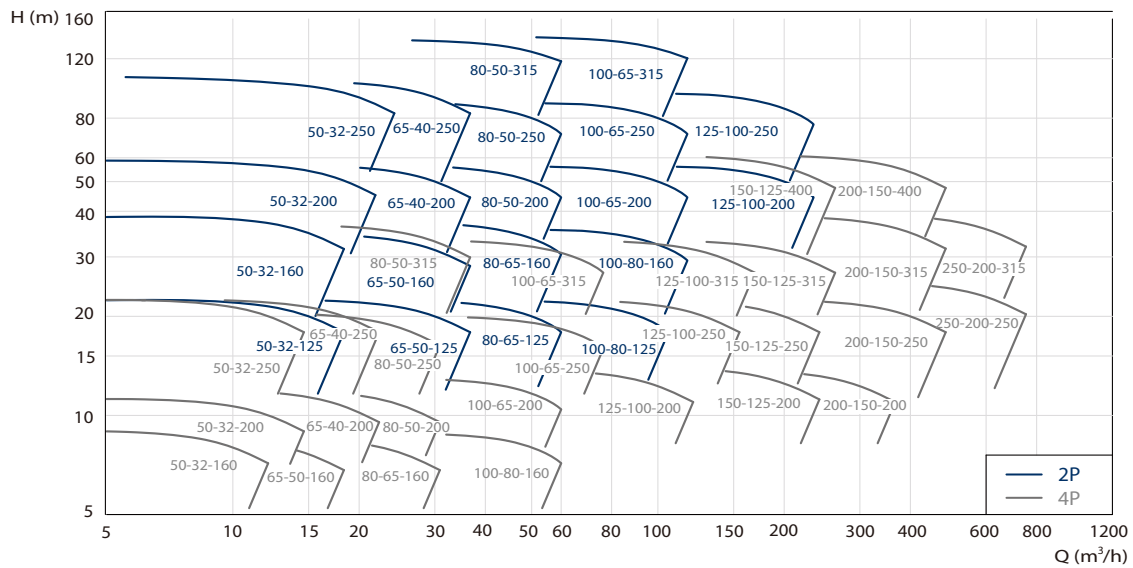
For models below (including) 4kW, V1 type motor is applied, come with bending steel base.

ISP联轴式 ISP coupling pump



NO.	名称	Name	材质 Material			
			HT		304	
			GB	JIS	GB	JIS
1	泵体	Pump casing	HT250	FC250	ZG07Cr19Ni10	SCS13
2	密封环	Seal ring	C/Cu	C/Cu	06Cr19Ni10/-	SUS304/-
3	叶轮	Impeller	HT200	FC200	ZG07Cr19Ni10	SCS13
4	机械密封	Mechanical seal	C/SiC-NBR	C/SiC-NBR	C/SiC-VITON	C/SiC-VITON
5	O型圈	O-ring	NBR	NBR	VITON	VITON
6	后盖	Back cap	HT250	FC250	ZG07Cr19Ni10	SCS13
7	轴承体	Bearing body	HT250	FC250	HT250	FC250
8	主轴	Shaft	20Cr13	SUS420	06Cr19Ni10	SUS304
9	轴承	Bearing	-	-	-	-
10	轴承压盖	Bearing cover	HT250	FC250	HT250	HT250
11	电机	Motor	-	-	-	-
12	底座	Base	Q235A	SS400	Q235A	SS400
13	联轴器	Coupling	-	-	-	-
14	联轴器罩	Coupling guard	Q235A	SS400	Q235A	SS400
15	VD密封圈	VD Seal ring	VITON	VITON	VITON	VITON
16	轴承体支架	Bearing stand	Q235A	SS400	Q235A	SS400
17	挡水圈	Block water ring	NBR	NBR	NBR	NBR
18	防护板	Guard board	06Cr19Ni10	SUS304	06Cr19Ni10	SUS304
19	键	Key	20Cr13	SUS420	06Cr19Ni10	SUS304
20	丝堵	Plug	Q235A	SS400	06Cr19Ni10	SUS304

型谱图 Performance chart



性能参数 Performance parameters

(2P)

型号 Type	电机功率 Motor power (kW)	转速 Speed (r/min)	流量 Capacity (m ³ /h)	扬程 Head (m)	效率 Eff (%)	必须气蚀余量 NPSHr (m)	ISH/ISP重量 ISH/ISP Weight (kg)
ISH/ISP50-32-125	1.5	2900	10.5	22	58	2.0	55/93
			15	20	65	2.1	
			18	18	64	2.4	
ISH/ISP50-32-125A	1.1	2900	9	17	57	2.0	49/87
			13	15	64	2.0	
			15.5	13	63	2.4	
ISH/ISP50-32-125B	0.75	2900	8.5	12	56	2.0	44/82
			12	10	63	2.0	
			14.5	9	62	2.3	
ISH/ISP50-32-160	3	2900	10.5	36	50	2.0	65/103
			15	33	58	2.1	
			18	30	59	2.5	
ISH/ISP50-32-160A	2.2	2900	9	30	50	2.0	55/93
			13	28	57	2.1	
			15.5	26	58	2.5	
ISH/ISP50-32-160B	1.5	2900	8.5	24	49	2.0	46/84
			12	22	56	2.0	
			14.5	20	57	2.4	
ISH/ISP50-32-200	5.5	2960	12.5	55	50	2.0	122/160
			18	52	57	2.1	
			21.5	48	58	2.5	
ISH/ISP50-32-200A	4	2900	11	46	49	2.0	103/141
			16	44	56	2.1	
			19	42	57	2.5	
ISH/ISP50-32-200B	4	2900	10.5	40	48	2.0	103/141
			15	38	55	2.0	
			18	36	56	2.3	
ISH/ISP50-32-250	15	2960	14	92	42	2.0	201/251
			20	90	48	2.3	
			24	88	49	2.6	
ISH/ISP50-32-250A	11	2960	12.5	83	41	2.0	201/251
			18	80	47	2.2	
			21.5	76	48	2.5	
ISH/ISP50-32-250B	7.5	2960	11	68	40	2.0	154/204
			16	66	46	2.2	
			19	64	47	2.5	
ISH/ISP65-50-125	3	2900	21	23	65	2.0	74/112
			30	20	72	2.0	
			36	16	71	2.4	
ISH/ISP65-50-125A	2.2	2900	19	19	64	2.0	52/90
			27	16	71	2.0	
			32.5	13	70	2.4	
ISH/ISP65-50-125B	1.5	2900	17.5	15	63	2.0	49/87
			25	13	70	2.0	
			30	11	69	2.3	
ISH/ISP65-50-160	4	2900	21	35	65	2.0	95/133
			30	32	71	2.1	
			36	29	70	2.5	
ISH/ISP65-50-160A	4	2900	19.5	31	64	2.0	95/133
			28	28	70	2.1	
			33.5	25	69	2.5	
ISH/ISP65-50-160B	3	2900	17.5	27	63	2.0	85/123
			25	24	69	2.0	
			30	21	68	2.4	
ISH/ISP65-40-200	7.5	2960	21	54	57	2.0	117/155
			30	50	64	2.2	
			36	47	65	2.5	
ISH/ISP65-40-200A	7.5	2960	19	47	56	2.0	111/149
			28	44	63	2.2	
			32.5	41	64	2.5	
ISH/ISP65-40-200B	5.5	2960	17.5	40	55	2.0	109/147
			25	38	62	2.1	
			30	35	63	2.4	



性能参数 Performance parameters

(2P)

型号 Type	电机功率 Motor power (kW)	转速 Speed (r/min)	流量 Capacity (m ³ /h)	扬程 Head (m)	效率 Eff (%)	必须气蚀余量 NPSHr (m)	ISH/ISP重量 ISH/ISP Weight (kg)
ISH/ISP65-40-250	18.5	2960	21	93	48	2.0	232/282
			30	90	55	2.3	
			36	88	54	2.6	
ISH/ISP65-40-250A	15	2960	19.5	85	47	2.0	225/275
			28	82	54	2.2	
			33.5	80	53	2.5	
ISH/ISP65-40-250B	11	2960	17.5	69	46	2.0	225/275
			25	66	53	2.0	
			30	64	52	2.5	
ISH/ISP80-65-125	4	2900	35	22	68	2.0	95/133
			50	20	76	2.6	
			60	17	75	3.0	
ISH/ISP80-65-125A	3	2900	31	18	67	2.0	85/123
			44	16	75	2.5	
			53	14	74	3.0	
ISH/ISP80-65-125B	2.2	2900	28	15	66	2.0	69/107
			40	13	74	2.5	
			48	11	73	2.8	
ISH/ISP80-65-160	7.5	2960	35	36	68	2.0	127/165
			50	34	75	2.5	
			60	32	74	2.8	
ISH/ISP80-65-160A	7.5	2960	33	32	67	2.0	127/165
			47	30	74	2.3	
			56	28	73	2.7	
ISH/ISP80-65-160B	5.5	2960	31	28	66	2.0	119/157
			44	26	73	2.3	
			52	24	72	2.6	
ISH/ISP80-50-200	15	2960	35	54	65	2.0	205/243
			50	50	71	2.4	
			60	47	69	2.7	
ISH/ISP80-50-200A	11	2960	33	48	65	2.0	204/242
			47	46	70	2.3	
			56	44	68	2.7	
ISH/ISP80-50-200B	11	2960	31	42	64	2.0	204/242
			44	40	69	2.2	
			52	38	67	2.5	
ISH/ISP80-50-250	22	2960	35	82	60	2.0	276/326
			50	80	64	2.2	
			60	76	63	2.6	
ISH/ISP80-50-250A	18.5	2960	33	72	59	2.0	234/284
			47	70	63	2.1	
			56	66	62	2.6	
ISH/ISP80-50-250B	15	2960	31	62	58	2.0	227/277
			44	60	62	2.1	
			52	56	61	2.6	
ISH/ISP80-50-315	37	2960	35	127	52	2.0	417/467
			50	125	58	2.0	
			60	122	59	2.5	
ISH/ISP80-50-315A	30	2960	33	110	52	2.0	382/432
			47	106	58	2.0	
			56	102	59	2.5	
ISH/ISP80-50-315B	30	2960	31	98	50	2.0	382/432
			44	95	56	2.0	
			52	90	57	2.5	
ISH/ISP100-80-125	7.5	2960	63	23	70	3.0	127/165
			90	20	77	4.0	
			108	17	75	4.8	
ISH/ISP100-80-125A	5.5	2960	60	18	70	2.9	125/163
			85	16	77	3.9	
			102	13	75	4.6	
ISH/ISP100-80-125B	4	2900	51	13	69	2.8	106/144
			72	12	76	3.7	
			87	10	74	4.4	



性能参数 Performance parameters

(2P)

型号 Type	电机功率 Motor power (kW)	转速 Speed (r/min)	流量 Capacity (m ³ /h)	扬程 Head (m)	效率 Eff (%)	必须气蚀余量 NPSHr (m)	ISH/ISP重量 ISH/ISP Weight (kg)
ISH/ISP100-80-160	15	2960	70	36	70	3.0	210/260
			100	33	78	4.1	
			120	28	76	4.9	
ISH/ISP100-80-160A	11	2960	66	34	70	2.9	210/260
			94	29	78	3.9	
			113	24	76	4.7	
ISH/ISP100-80-160B	11	2960	61	29	68	2.8	208/258
			87	26	75	3.8	
			104	22	73	4.5	
ISH/ISP100-65-200	22	2960	70	52	70	2.8	271/321
			100	50	77	3.8	
			120	46	75	4.4	
ISH/ISP100-65-200A	18.5	2960	66	46	69	2.7	229/279
			94	44	76	3.7	
			113	40	74	4.3	
ISH/ISP100-65-200B	18.5	2960	61	43	69	2.6	222/272
			87	41	76	3.5	
			104	38	74	4.1	
ISH/ISP100-65-250	37	2960	70	85	65	2.6	399/549
			100	80	73	3.5	
			120	74	71	4.1	
ISH/ISP100-65-250A	30	2960	66	70	65	2.5	364/414
			94	64	73	3.4	
			113	58	71	4.0	
ISH/ISP100-65-250B	30	2960	61	62	64	2.4	364/414
			87	57	71	3.3	
			104	52	69	3.8	
ISH/ISP100-65-315	75	2960	70	140	63	2.4	675/745
			100	135	67	3.2	
			120	130	66	3.8	
ISH/ISP100-65-315A	55	2960	66	115	62	2.3	586/656
			94	112	66	3.1	
			113	105	65	3.6	
ISH/ISP100-65-315B	45	2960	61	100	61	2.2	469/539
			87	96	65	3.0	
			104	90	64	3.5	
ISH/ISP125-100-200	37	2960	140	55	74	4.8	371/421
			200	50	81	6.5	
			240	45	80	7.7	
ISH/ISP125-100-200A	30	2960	126	45	73	4.6	336/386
			180	42	79	6.2	
			216	38	78	7.3	
ISH/ISP125-100-200B	30	2960	112	40	73	4.3	336/386
			160	37	78	5.7	
			192	33	77	6.8	
ISH/ISP125-100-250	75	2960	140	96	72	4.5	675/745
			200	90	79	6.0	
			240	84	78	7.1	
ISH/ISP125-100-250A	55	2960	131	74	71	4.4	586/656
			187	70	78	5.8	
			224	64	77	6.8	
ISH/ISP125-100-250B	45	2960	121	65	70	4.2	469/539
			173	60	77	5.6	
			208	56	76	6.6	
ISH/ISP125-100-315	110	2960	140	128	72	4.2	960/1070
			200	125	78	5.6	
			240	115	77	6.5	
ISH/ISP125-100-315A	110	2960	131	112	71	4.0	960/1070
			187	110	77	5.4	
			224	100	76	6.3	
ISH/ISP125-100-315B	90	2960	121	98	70	3.9	745/855
			173	95	76	5.2	
			208	90	75	6.1	

注：不同品牌电机，重量有所不同，具体请咨询本公司销售人员。

Note: The weight is different if using different brands of motor. Please contact our sales for details.



性能参数 Performance parameters

(4P)

型号 Type	电机功率 Motor power (kW)	转速 Speed (r/min)	流量 Capacity (m ³ /h)	扬程 Head (m)	效率 Eff (%)	必须气蚀余量 NPSHr (m)	ISH/ISP重量 ISH/ISP Weight (kg)
ISH/ISP50-32-160	0.55	1450	7	8.5	55	2.0	50/88
			10	8	60	2.0	
			12	7.5	59	2.4	
ISH/ISP50-32-160A	0.55	1450	6.5	6.5	55	2.0	50/88
			9	6	60	2.0	
			11	5.5	59	2.4	
ISH/ISP50-32-160B	0.55	1450	5.5	5.5	55	2.0	50/88
			8	5.2	60	2.0	
			10	5	59	2.4	
ISH/ISP50-32-200	0.75	1450	8.5	11.5	48	2.0	61/99
			12	10	56	2.0	
			14.5	8.5	54	2.4	
ISH/ISP50-32-200A	0.75	1450	7.5	10	48	2.0	61/99
			11	9	56	2.0	
			13	8	54	2.4	
ISH/ISP50-32-200B	0.55	1450	7	9	48	2.0	61/99
			10	8.5	56	2.0	
			12	7	54	2.4	
ISH/ISP50-32-250	2.2	1450	8.5	21	40	2.0	95/145
			12	20	47	2.0	
			14.5	18	45	2.4	
ISH/ISP50-32-250A	1.5	1450	7.5	19	39	2.0	82/132
			11	18	46	2.0	
			13	17	44	2.3	
ISH/ISP50-32-250B	1.1	1450	7	15	38	2.0	63/113
			10	14	45	2.0	
			12	13	43	2.3	
ISH/ISP65-50-160	0.55	1450	10.5	8.5	60	2.0	56/94
			15	7.5	65	2.1	
			18	7	66	2.5	
ISH/ISP65-50-160A	0.55	1450	8.5	7.5	60	2.0	56/94
			12	7	65	2.1	
			14.5	6.5	66	2.5	
ISH/ISP65-50-160B	0.55	1450	7.5	6.5	60	2.0	56/94
			11	6	65	2.1	
			13	5.5	66	2.5	
ISH/ISP65-40-200	1.1	1450	12.5	12.5	58	2.0	73/111
			18	11	63	2.1	
			21.5	10	62	2.5	
ISH/ISP65-40-200A	1.1	1450	12	11	58	2.0	73/111
			17	10	63	2.1	
			20.5	9	62	2.5	
ISH/ISP65-40-200B	0.75	1450	10.5	10	57	2.0	65/103
			15	9	62	2.0	
			18	8	61	2.5	
ISH/ISP65-40-250	3	1450	12.5	22	50	2.0	97/147
			18	20	56	2.1	
			21.5	19	55	2.5	
ISH/ISP65-40-250A	2.2	1450	12	21	43	2.0	95/145
			17	19	47	2.1	
			20.5	18	46	2.5	
ISH/ISP65-40-250B	1.5	1450	11	16	43	2.0	82/132
			16	15	47	2.0	
			19	14	46	2.4	
ISH/ISP80-65-160	1.1	1450	17.5	8.5	65	2.0	72/120
			25	8	71	2.0	
			30	7.5	70	2.4	
ISH/ISP80-65-160A	1.1	1450	16.5	7.5	65	2.0	72/120
			23.5	7	71	2.0	
			28	6.5	70	2.4	



性能参数 Performance parameters

(4P)

型号 Type	电机功率 Motor power (kW)	转速 Speed (r/min)	流量 Capacity (m³/h)	扬程 Head (m)	效率 Eff (%)	必须气蚀余量 NPSHr (m)	ISH/ISP重量 ISH/ISP Weight (kg)
ISH/ISP80-65-160B	0.75	1450	15	6.5	63	2.0	64/112
			22	6	69	2.0	
			26	5.5	68	2.4	
ISH/ISP80-50-200	2.2	1450	17.5	13	62	2.0	94/132
			25	12.5	67	2.1	
			30	11	66	2.5	
ISH/ISP80-50-200A	1.5	1450	16.5	12	62	2.0	86/124
			23.5	11	67	2.1	
			28	10	66	2.5	
ISH/ISP80-50-200B	1.5	1450	16.5	10	60	2.0	86/124
			23.5	9	65	2.1	
			28	8	65	2.5	
ISH/ISP80-50-250	3	1450	17.5	20.5	56	2.0	120/170
			25	20	61	2.1	
			30	19	60	2.5	
ISH/ISP80-50-250A	3	1450	16.5	18	55	2.0	120/170
			23.5	17	60	2.1	
			28	16	59	2.5	
ISH/ISP80-50-250B	2.2	1450	16.5	15	54	2.0	118/168
			23.5	14	59	2.1	
			28	13	58	2.5	
ISH/ISP80-50-315Z	7.5	1480	21	36	54	2.0	188/238
			30	35	57	2.1	
			36	34	58	2.4	
ISH/ISP80-50-315	5.5	1480	20	32	54	2.0	177/228
			28	30	57	2.2	
			33.5	28	58	2.5	
ISH/ISP80-50-315A	5.5	1450	17.5	27	53	2.0	177/228
			25	25	56	2.1	
			30	23	57	2.4	
ISH/ISP80-50-315B	4	1450	16.5	24	53	2.0	160/211
			23.5	23	56	2.1	
			28	22	57	2.4	
ISH/ISP100-80-160	2.2	1450	35	9	68	2.0	98/148
			50	8	75	2.2	
			60	7	73	2.6	
ISH/ISP100-80-160A	1.5	1450	33	8	66	2.0	90/140
			47	7	73	2.2	
			56	6	71	2.6	
ISH/ISP100-80-160B	1.5	1450	31	7	66	2.0	90/140
			44	6	73	2.2	
			52	5	71	2.6	
ISH/ISP100-65-200	3	1450	35	13	65	2.0	113/173
			50	12.5	74	2.1	
			60	11	72	2.5	
ISH/ISP100-65-200A	3	1450	33	12	64	2.0	113/173
			47	11	73	2.1	
			56	10	71	2.5	
ISH/ISP100-65-200B	2.2	1450	31	11	64	2.0	111/171
			44	10	73	2.1	
			52	9	71	2.5	
ISH/ISP100-65-250	5.5	1480	35	22	65	2.0	162/212
			50	20	70	2.1	
			60	18	69	2.5	
ISH/ISP100-65-250A	4	1450	33	17	63	2.0	145/195
			47	16	68	2.1	
			56	14	67	2.5	
ISH/ISP100-65-250B	4	1450	31	15	63	2.0	145/195
			44	14	68	2.1	
			52	13	67	2.5	
ISH/ISP100-65-315	11	1480	42	34	60	2.0	229/299
			60	32	66	2.2	
			72	29	64	2.6	



性能参数 Performance parameters

(4P)

型号 Type	电机功率 Motor power (kW)	转速 Speed (r/min)	流量 Capacity (m ³ /h)	扬程 Head (m)	效率 Eff (%)	必须气蚀余量 NPSHr (m)	ISH/ISP重量 ISH/ISP Weight (kg)
ISH/ISP100-65-315A	7.5	1480	39	28	60	2.0	191/261
			55	27	64	2.1	
			66	25	63	2.6	
ISH/ISP100-65-315B	7.5	1480	35	25	58	2.0	191/261
			50	24	63	2.1	
			60	22	62	2.6	
ISH/ISP125-100-200	5.5	1480	70	14	73	2.0	165/215
			100	12.5	79	2.2	
			120	10.5	78	2.6	
ISH/ISP125-100-200A	4	1450	63	10.5	72	2.0	148/198
			90	10	78	2.2	
			108	9	77	2.6	
ISH/ISP125-100-200B	4	1450	56	9.5	72	2.0	148/198
			80	8.5	77	2.2	
			96	8	76	2.6	
ISH/ISP125-100-250	11	1480	91	23	76	2.0	262/332
			130	20	79	2.1	
			156	17	78	2.6	
ISH/ISP125-100-250A	7.5	1480	77	18	75	2.0	225/295
			110	16	78	2.1	
			132	14	77	2.6	
ISH/ISP125-100-250B	7.5	1480	63	16	74	2.0	225/295
			90	14	77	2.1	
			108	13	76	2.6	
ISH/ISP125-100-315	18.5	1480	98	33	74	2.0	356/426
			140	30	79	2.2	
			168	27	75	2.6	
ISH/ISP125-100-315A	15	1480	84	30	73	2.0	309/379
			120	28	78	2.1	
			144	26	74	2.5	
ISH/ISP125-100-315B	15	1480	70	27	72	2.0	309/379
			100	26	77	2.1	
			120	24	73	2.5	
ISH/ISP150-125-200	11	1480	140	15	75	2.0	278/328
			200	13	81	2.7	
			240	10	80	3.2	
ISH/ISP150-125-200A	7.5	1480	126	12	74	2.0	240/290
			180	10	80	2.6	
			216	8	79	3.1	
ISH/ISP150-125-200B	5.5	1480	112	10	73	2.0	230/280
			160	8	79	2.5	
			192	7	78	2.9	
ISH/ISP150-125-250	15	1480	140	22	78	2.0	287/357
			200	20	82	2.5	
			240	18	81	3.0	
ISH/ISP150-125-250A	11	1480	126	18	77	2.0	270/340
			180	16	81	2.5	
			216	14	80	2.9	
ISH/ISP150-125-250B	11	1480	112	15	76	2.0	270/340
			160	14	80	2.2	
			192	13	79	2.6	
ISH/ISP150-125-315	30	1480	154	35	74	2.0	461/531
			220	33	80	2.5	
			264	30	79	2.9	
ISH/ISP150-125-315A	22	1480	140	29	73	2.0	392/462
			200	27	79	2.4	
			240	24	78	2.8	
ISH/ISP150-125-315B	18.5	1480	131	26	72	2.0	384/454
			187	24	78	2.2	
			224	21	77	2.6	
ISH/ISP150-125-400	55	1480	154	58	71	2.0	707/777
			220	55	76	2.3	
			264	52	75	2.7	



性能参数 Performance parameters

(4P)

型号 Type	电机功率 Motor power (kW)	转速 Speed (r/min)	流量 Capacity (m ³ /h)	扬程 Head (m)	效率 Eff (%)	必须气蚀余量 NPSHr (m)	ISH/ISP重量 ISH/ISP Weight (kg)
ISH/ISP150-125-400A	45	1480	147	53	70	2.0	595/665
			210	50	75	2.1	
			252	46	74	2.5	
ISH/ISP150-125-400B	37	1480	140	46	69	2.0	589/659
			200	44	74	2.1	
			240	41	73	2.5	
ISH/ISP150-125-400C	30	1480	126	40	69	2.0	534/604
			180	38	74	2.1	
			216	36	73	2.5	
ISH/ISP200-150-200	18.5	1480	196	17	76	2.6	382/432
			280	15	82	3.6	
			336	13	81	4.2	
ISH/ISP200-150-200A	15	1480	182	15	75	2.4	335/385
			260	13	81	3.5	
			312	11	80	4.1	
ISH/ISP200-150-200B	15	1480	182	13	74	2.4	335/385
			240	12	80	3.3	
			288	10	79	3.9	
ISH/ISP200-150-250	30	1480	280	23	77	3.3	481/551
			400	20	83	4.4	
			480	16	82	5.2	
ISH/ISP200-150-250A	22	1480	252	18	76	3.1	412/482
			360	16	82	4.2	
			432	12	81	5.0	
ISH/ISP200-150-250B	18.5	1480	231	16	75	3.0	404/474
			330	14	81	4.0	
			396	10	80	4.7	
ISH/ISP200-150-315	55	1480	280	38	77	3.0	778/868
			400	35	83	4.1	
			480	32	82	4.8	
ISH/ISP200-150-315A	45	1480	252	33	76	2.9	666/756
			360	30	82	3.9	
			432	27	81	4.7	
ISH/ISP200-150-315B	37	1480	231	31	75	2.6	660/750
			330	28	81	3.6	
			396	25	80	4.2	
ISH/ISP200-150-400	90	1480	280	57	77	2.8	1012/1102
			400	55	81	3.8	
			480	50	80	4.4	
ISH/ISP200-150-400A	75	1480	252	52	76	2.6	942/1032
			360	48	80	3.5	
			432	45	79	4.1	
ISH/ISP200-150-400B	75	1480	231	46	75	2.6	942/1032
			330	44	79	3.3	
			396	42	78	3.9	
ISH/ISP250-200-250	55	1480	420	27	78	4.4	810/900
			600	23	84	5.9	
			720	19	83	7.0	
ISH/ISP250-200-250A	45	1480	406	25	77	4.3	698/788
			580	21	83	5.7	
			696	17	82	6.8	
ISH/ISP250-200-250B	37	1480	350	22	76	4.0	692/782
			550	18	82	5.5	
			660	14	81	6.6	
ISH/ISP250-200-315	90	1480	448	41	78	4.2	1040/1130
			640	37	84	5.7	
			768	32	83	6.8	
ISH/ISP250-200-315A	75	1480	420	36	77	4.3	970/1060
			600	32	83	5.7	
			720	28	82	6.8	
ISH/ISP250-200-315B	75	1480	392	32	77	4.2	970/1060
			560	29	83	5.5	
			672	26	82	6.4	

注：不同品牌电机，重量有所不同，具体请询本公司销售人员。

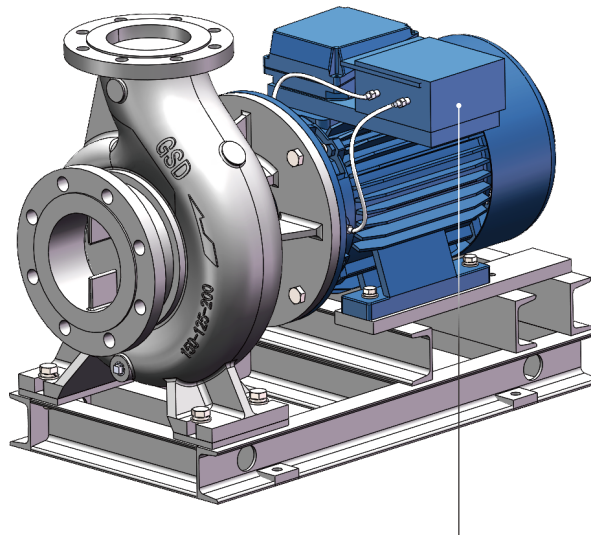
Note: The weight is different if using different brands of motor. Please contact our sales for details.



川源智能陆上泵系统 GSD Intelligent On-land Pump System

- 川源从服务使用者出发， $\geq 30\text{kW}$ 可安装智能陆上泵系统——实现水泵智能化运行和健康管理。
 - 智能水泵系统比传统用泵可节省运维人力投入。
 - 智能水泵系统可有效降低设备备品备件数量。
 - 智能水泵系统通过优化运行工况参数，节省设备能耗。
- GSD starts from serving customers, the centrifugal pump $\geq 30\text{kW}$ can be installed with Intelligent land-based pump system.
 - The intelligent water pump system can save maintenance labor investment compared to traditional pumps.
 - The intelligent water pump system can effectively reduce the quantity of spare parts for equipment.
 - The intelligent water pump system optimizes operating parameters to save equipment energy consumption.

ISH智能泵结构图 ISH Intelligent pump structure



智能电机（标配） Intelligent motor (Standard)



GSD3智能数据采集器
GSD3 Intelligent Data Collector

对内部监测项目信号进行收集打包传输，也可单独外接显示屏，现场直接显示水泵运转状态。

The internal monitoring signals are collected, packaged and transmitted and can also be connected to a separate external display to directly show the running status of the pump.



前轴承振动
Vibration detector

使用振动规实时振动指标的监测，提供设备运行状态和专家诊断的专业数据。

Use vibration gauges to monitor vibration indicators in real time, providing equipment operating status and diagnostic professional data.



前轴承测温
Heat detector in bearing

实现对轴承部位状态实时监测，故障预警，保护轴承及电机安全。

Real-time monitoring of bearing status and fault warning to protect bearing and motor safety.



三相绕组测温
Heat detector in stator

监控电机定子温度情况，防止电机温度过高。

Monitor the temperature of the motor stator to prevent the motor from overheating.



ISP智能泵结构图 ISP Intelligent pump structure



轴承振动 (选配)
Vibration detector (options)

使用振动规实时振动指标的监测, 提供设备运行状态和专家诊断的专业数据。

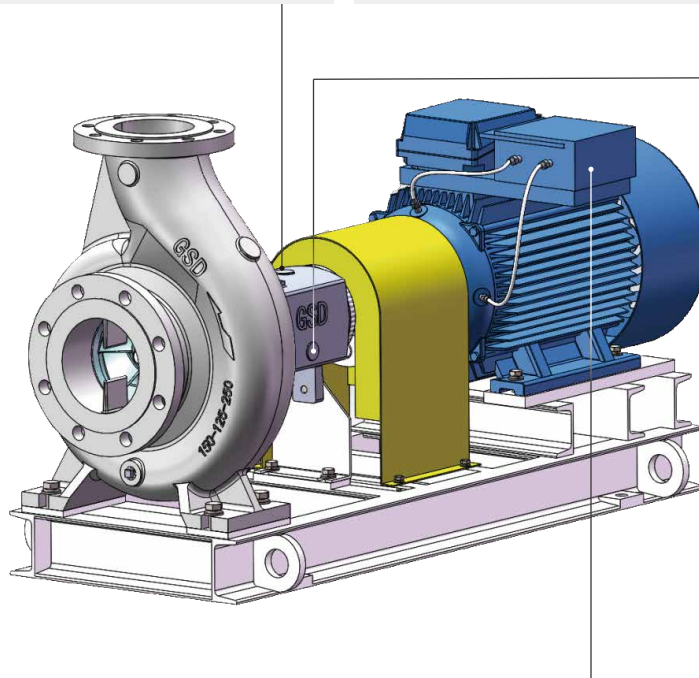
Use vibration gauges to monitor vibration indicators in real time, providing equipment operating status and diagnostic professional data.



轴承测温 (选配)
Heat detector in bearing (options)

实现对轴承部位状态实时监测, 故障预警, 保护轴承及电机安全。

Real-time monitoring of bearing status and fault warning to protect bearing and motor safety.



智能电机 (标配) Intelligent motor (Standard)

GSD3智能数据采集器
GSD3 Intelligent Data Collector



对内部监测项目信号进行收集打包传输, 也可单独外接显示屏, 现场直接显示水泵运转状态。

The internal monitoring signals are collected, packaged and transmitted and can also be connected to a separate external display to directly show the running status of the pump.

三相绕组测温
Heat detector in stator



监控电机定子温度情况, 防止电机温度过高。

Monitor the temperature of the motor stator to prevent the motor from overheating.

前轴承测温
Heat detector in bearing



实现对轴承部位状态实时监测, 故障预警, 保护轴承及电机安全。

Real-time monitoring of bearing status and fault warning to protect bearing and motor safety.

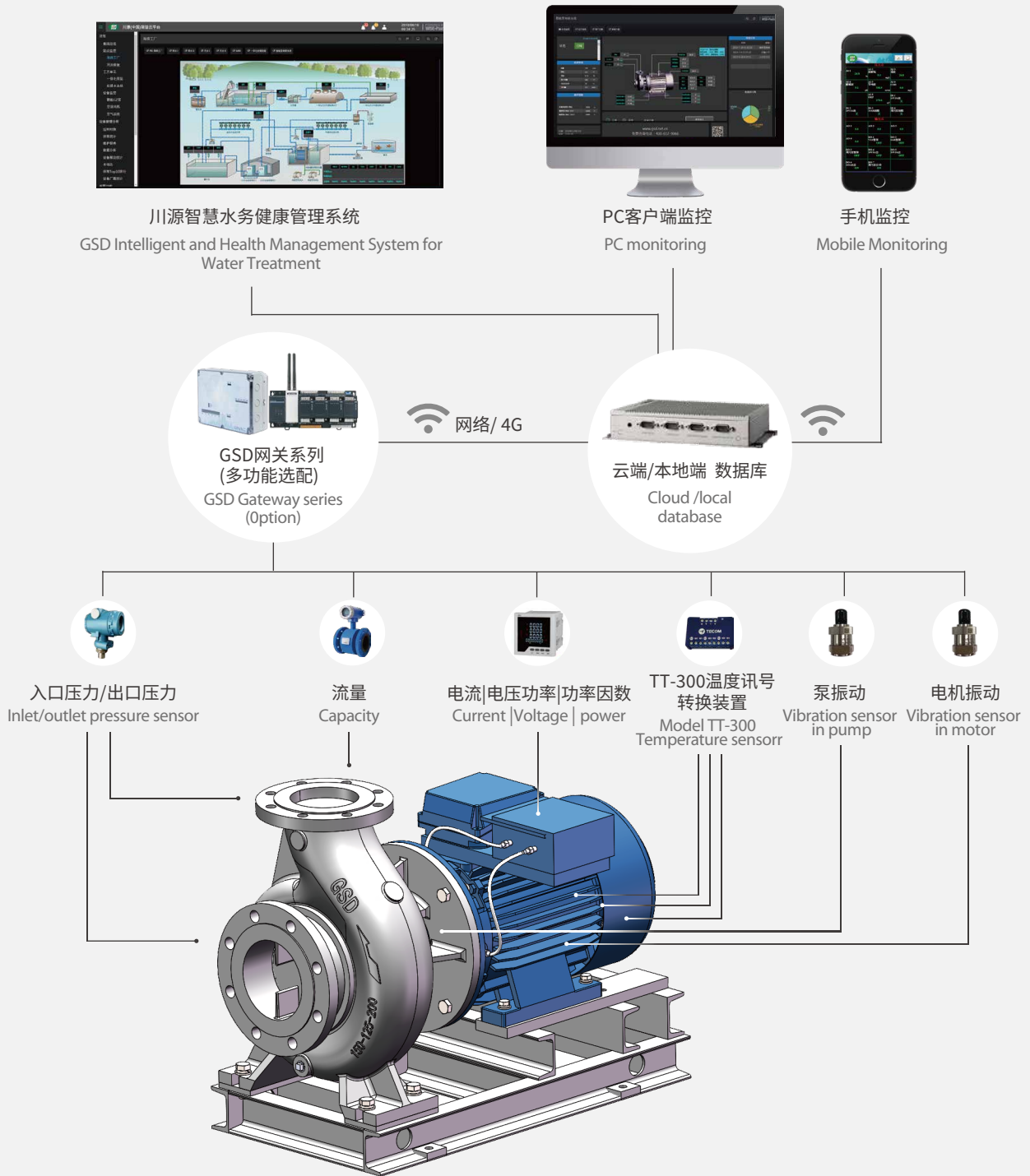
前轴承振动
Vibration detector



使用振动规实时振动指标的监测, 提供设备运行状态和专家诊断的专业数据。

Use vibration gauges to monitor vibration indicators in real time, providing equipment operating status and diagnostic professional data.

系统构架 System Architecture



9068

有限公司版权所有 all rights reserved. ©

数据仅供参考

The data on the brochure is based on the laboratory testing data and customers' actual operation. It may be different in different application conditions. We reserve the right to change content without notice.